

# IR-30K Emitter Datasheet



The IR-3X series of emitters operate at lower voltages than our 1X and 2X series, while still maintaining high temperatures.

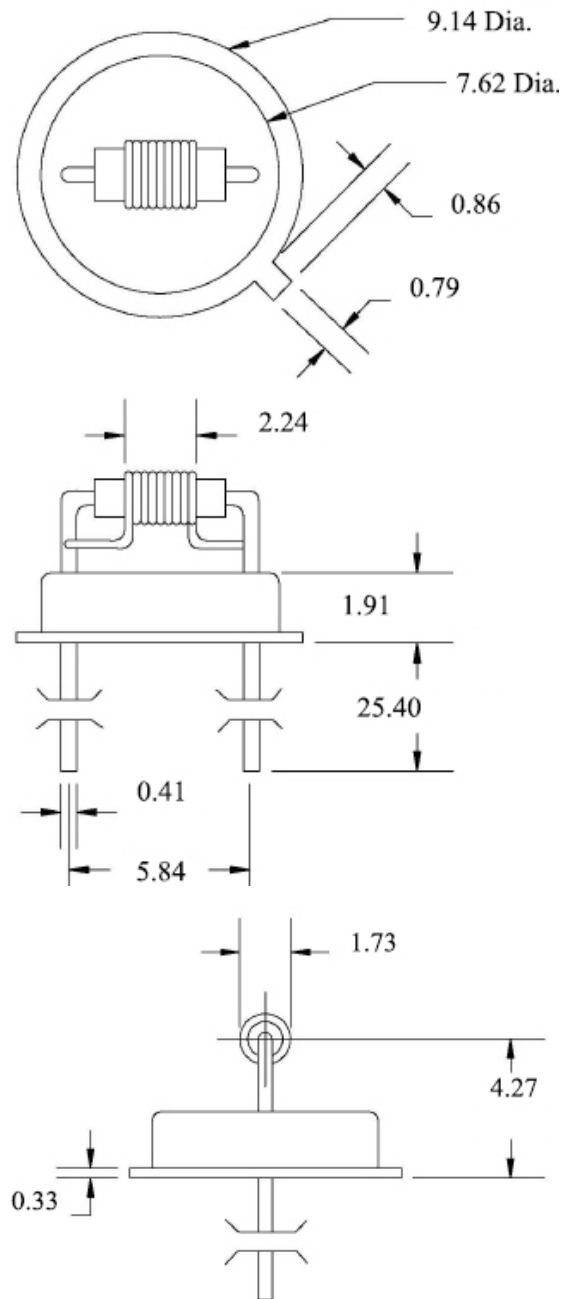
## Recommended Operating Parameters

Voltage, V	2.5
Temperature °C	950
Current, A	1.7
Power, W	4.2

## Properties at Recommended Parameters

Life	25,000 Hours
Emissivity, %	70
Active Area (mm)	1.8 X 1.8

Note: All dimensions in mm



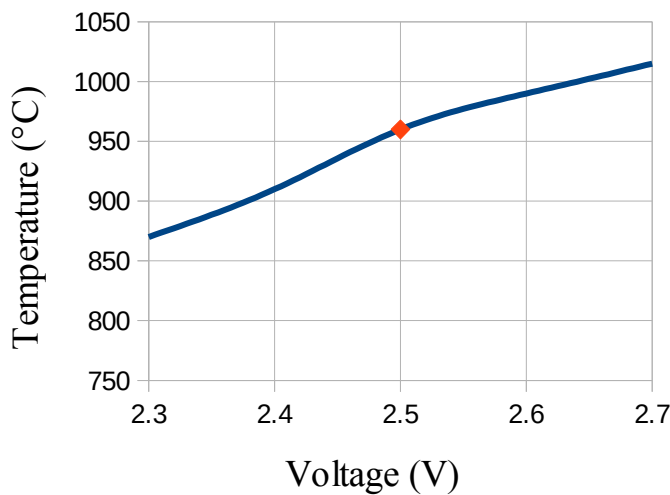
 **Boston**Electronics

Contact Information:  
 Boston Electronics  
[www.boselec.com](http://www.boselec.com)  
[shop.boselec.com](http://shop.boselec.com)  
[boselec@boselec.com](mailto:boselec@boselec.com)  
 +1.617.566.3821

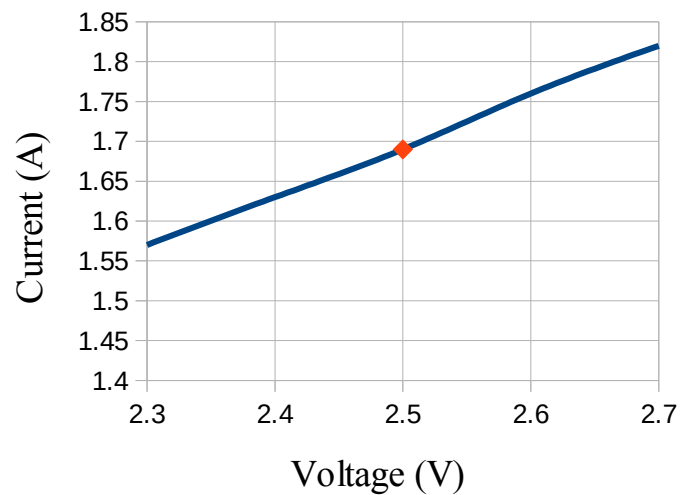
## Sample Data Points

V	2.30	2.40	2.50	2.60	2.70
A	1.57	1.63	1.69	1.76	1.82
W	3.61	3.91	4.23	4.56	4.91
°C	870	910	960	990	1015

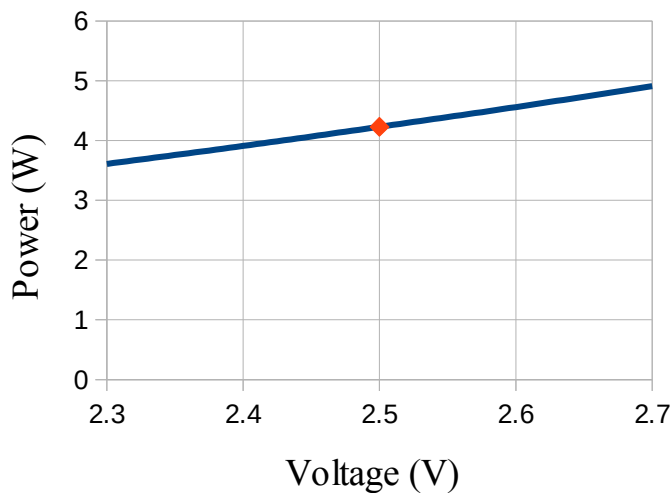
### Temperature vs. Voltage



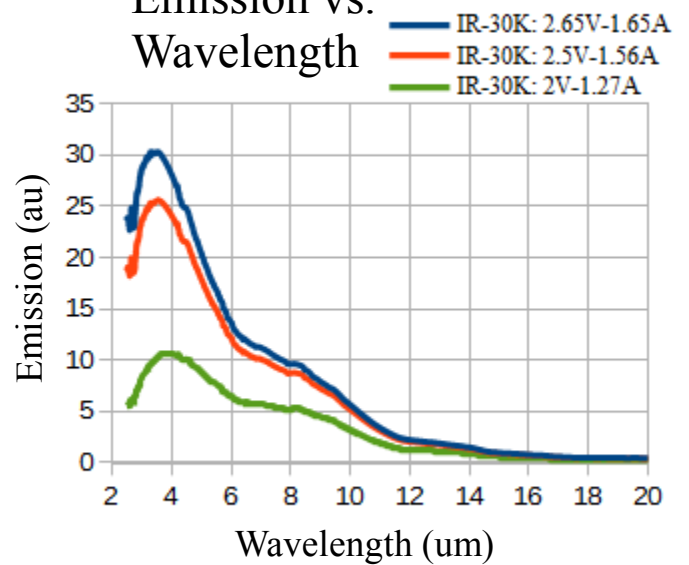
### Current vs. Voltage



### Power vs. Voltage



### Emission vs. Wavelength



◆: Recommended to Maximize Lifetime