

SG03R01-5

Broadband SiC based UV photodiode A = 0.1 mm² with VUV responsivity

GENERAL FEATURES



Properties of the SG03R01-5 UV photodiode

- Broadband UVA+UVB+UVC, enhanced VUV responsivity
- Usable for 185nm (Hg low pressure lamp) or 172nm (excimer) detection
- Active Area A = 0.1 mm² (circular active area)
- TO5 hermetically sealed metal housing with sapphire glass window
- 10mW/cm² peak radiation results a current of approx. 1300nA

About the sglux Silicon Carbide (SiC) SG03 series

The difference between the sglux standard SG01 series and the SG03 series is the production method of the pn junction. The standard SG01 series works with vapor phase epitaxy generated pn junction. The SG03 series uses an ion implantation process. This process allows to position the depletion zone closer to the chip surface which leads to an improved spectral responsivity for wavelengths lower than 200nm. Accordingly, the SG03-series SiC photodiodes can be applied for measurement of 185nm UV radiation used for grease and odor reduction in canteen kitchens, TOC (total organic carbon) reduction (water treatment). Also UV irradiation generated by 172nm excimer sources as used for UV curing and matting of coatings can be detected. The photodiodes are available with five different active chip areas from 0.1 mm² up to 8 mm². By default, the photodiode is sensitive from VUV to UVA. Photodiodes with customized optical filters (e.g. 185nm Hg low pressure lamp measurement while being blind for 254nm) are available on request. Please contact us for details.

NOMENCLATURE

SG03		
Chip area	Spectral response	Housing
R01, R05, R10, R20, R80	nothing, customized	5, 5ISO90
R01 0.1 mm ²	nothing = broadband $\lambda_{\max} = 280 \text{ nm}$ $\lambda_{510\%} = 170 \text{ nm} \dots 355 \text{ nm}$	5 2-pin TO5 housing, h = 4.3 mm for broadband responsivity; h = 6.7 mm for photodiodes with optical filter
R05 0.5 mm ²	customized $\lambda_{\max} = \text{customized}$ $\lambda_{510\%} = \text{customized}$	5ISO90 3-pin TO5 housing, h = 4.2 mm, 2 pins isolated, 1 pin grounded
R10 1.0 mm ²	We are happy to tailor the spectral response according to individual customer requirements. Please contact us.	
R20 2.0 mm ²		
R80 8.0 mm ²		

SG03R01-5

Broadband SiC based UV photodiode A = 0.1 mm² with VUV responsivity

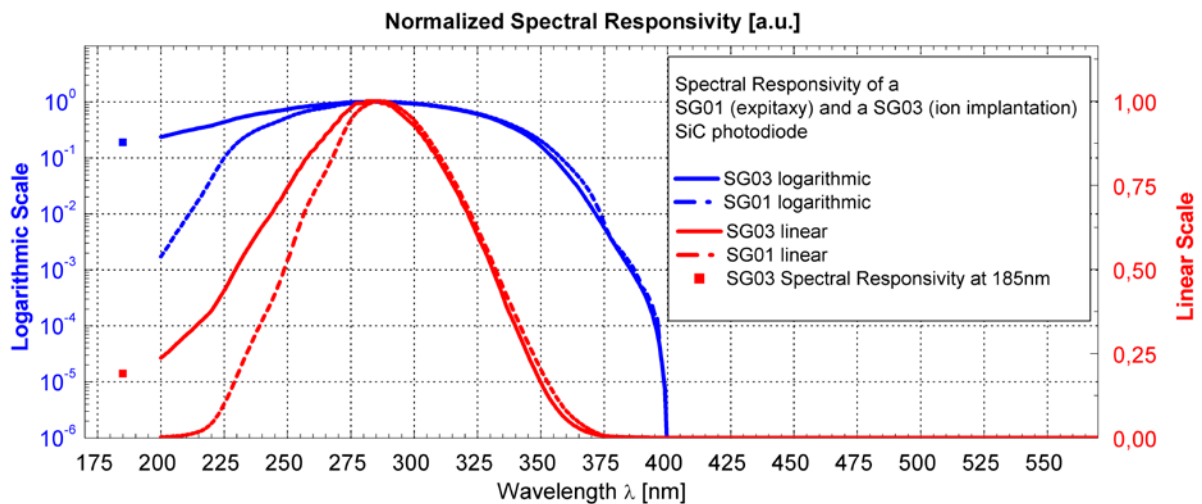


SPECIFICATIONS

Parameter	Symbol	Value	Unit
Spectral Characteristics			
Typical Responsivity at Peak Wavelength	S_{max}	0.130	AW^{-1}
Wavelength of max. Spectral Responsivity	λ_{max}	280	nm
Responsivity Range ($S=0.1 \cdot S_{max}$)	–	170 ... 355	nm
Visible Blindness ($S_{max}/S_{>405nm}$)	VB	$> 10^5$	–
General Characteristics (T=25°C)			
Active Area	A	0.1	mm ²
Dark Current (1V reverse bias)	I_d	0.2	fA
Capacitance	C	15	pF
Short Circuit (10mW/cm ² at peak)	I_o	1300	nA
Temperature Coefficient	T_c	< 0.1	%/K
Maximum Ratings			
Operating Temperature	T_{opt}	-55 ... +170	°C
Storage Temperature	T_{stor}	-55 ... +170	°C
Soldering Temperature (3s)	T_{sold}	260	°C
Reverse Voltage	V_{Rmax}	20	V

NORMALIZED SPECTRAL RESPONSIVITY

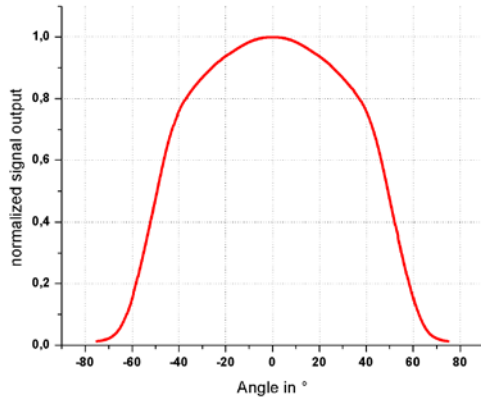
The below graph compares the SR of the standard SG01 series with the SR of the SG03 series



SG03R01-5

Broadband SiC based UV photodiode $A = 0.1 \text{ mm}^2$ with VUV responsivity

FIELD OF VIEW

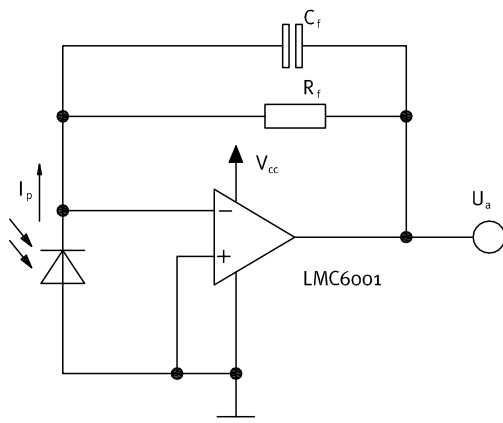


Measurement Setup:

lamp aperture diameter: 10 mm
 distance lamp aperture to second aperture: 17 mm
 second aperture diameter: 10 mm
 distance second aperture to detector: 93 mm

pivot level = top surface of the photodiode window

TYPICAL CIRCUIT



Calculations and Limits:

$$U_a = I_p \times R_f = 0 \dots \sim V_{cc}$$

$U_{a,max}$ depends on load and amplifier type

$R_f = 10k\Omega \dots \sim 10G\Omega$, $C_f \geq 3pF$
 Recommendation: $R_f \times C_f \geq 10^{-3}s$

$$I_{p,max} = U_{a,max} \div R_f$$

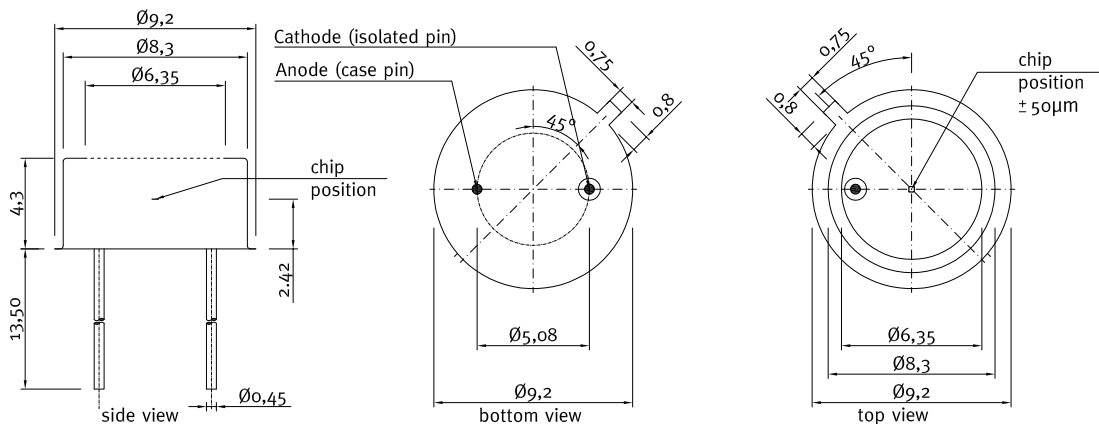
$$\text{Bandwidth} = DC \dots \frac{1}{2\pi \times R_f \times C_f}$$

Example:

$$I_p = 20nA, R_f = 100M\Omega, C_f = 100pF$$

$$U_a = 20 \times 10^{-9}A \times 100 \times 10^6\Omega = 2V$$

DRAWINGS



SG03R01-5

Broadband SiC based UV photodiode A = 0.1 mm² with VUV responsivity



APPLICATION NOTE FOR PHOTODIODES

For correct reading of the photodiode the current (and NOT the voltage) must be analyzed. This requires a short circuiting of the photodiode. Usual approaches are using a **Picoamperemeter** or a **transimpedance amplifier** circuit as shown on page 3.

UPGRADE TO A TOCON OR A PROBE



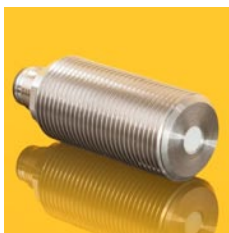
TOCONs = UV sensors with integrated amplifier

- SiC based UV hybrid detector with amplifier (0–5V output), no additional amplifier needed, direct connection to controller, voltmeter, etc.
- Measures intensities from 1.8 pW/cm² up to 18 W/cm²
- UV broadband, UVA, UVB, UVC or Erythema measurements



Miniature housing with M12x1 thread for the TOCON series

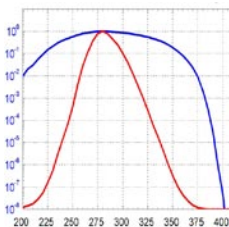
- Optional feature for all TOCON detectors
- Robust stainless steel M12x1 thread body
- Integrated sensor connector (Binder 4-Pin plug) with 2m connector cable
- Easy to mount and connect



Industrial UV probes

- Different housings e.g. with cosine response, water pressure proof or sapphire windows
- Different electronic outputs configurable (voltage, current, USB, CAN, MODbus)
- Good EMC safety for industrial applications

CALIBRATION SERVICE



- Different NIST and PTB traceable calibrations and measurements for all sglux sensors
- Calibration of sensors for irradiation measurements
- Calibration of UV sensors on discrete wavelengths
- Determination of a specific spectral sensor responsivity