

IR-30 Emitter Datasheet



The IR-3X series of emitters operate at lower voltages than our 1X and 2X series, while still maintaining high temperatures.

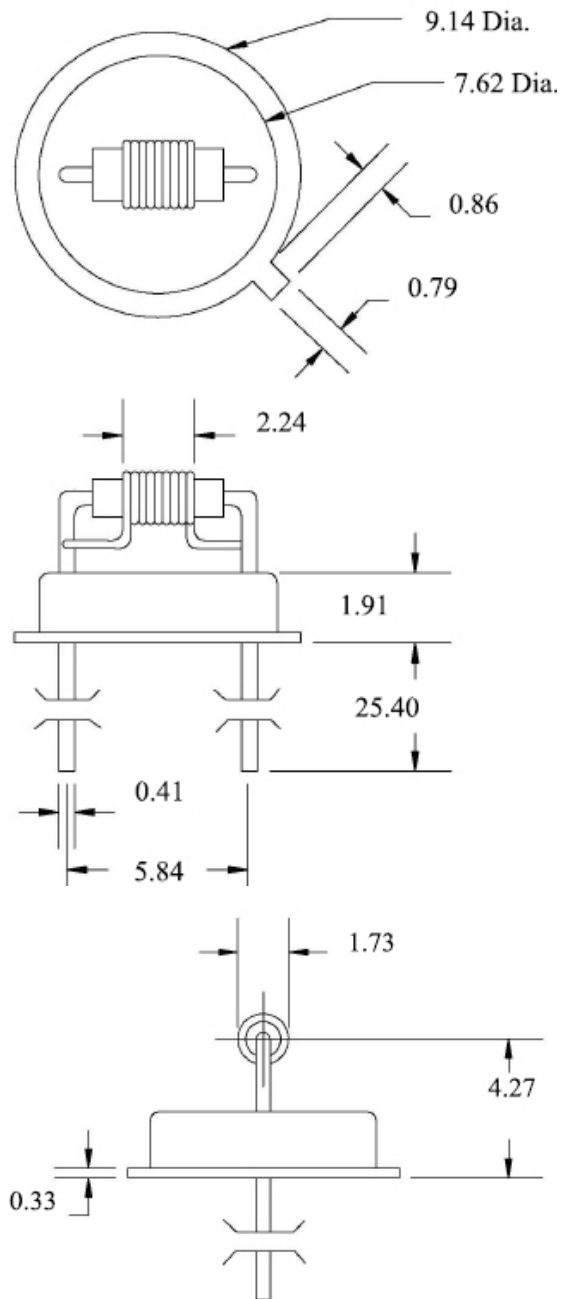
Note: All dimensions in mm

Recommended Operating Parameters

Voltage, V	2.75
Temperature °C	925
Current, A	1.53
Power, W	4.2

Recommended Operating Parameters

Life	25,000 Hours
Emissivity, %	80
Active Area (mm)	1.8 X 1.8



Contact Information:
 Boston Electronics Corp.
www.boselec.com
shop.boselec.com
boselec@boselec.com
 617-566-3821
 91 Boylston Street
 Brookline, MA 02445

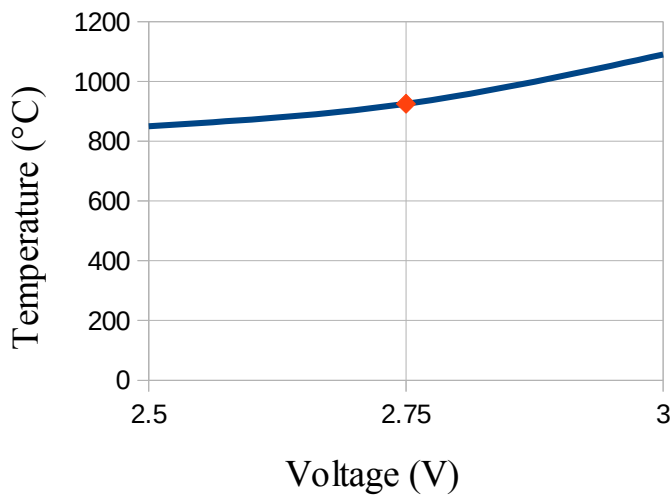
Manufactured by:



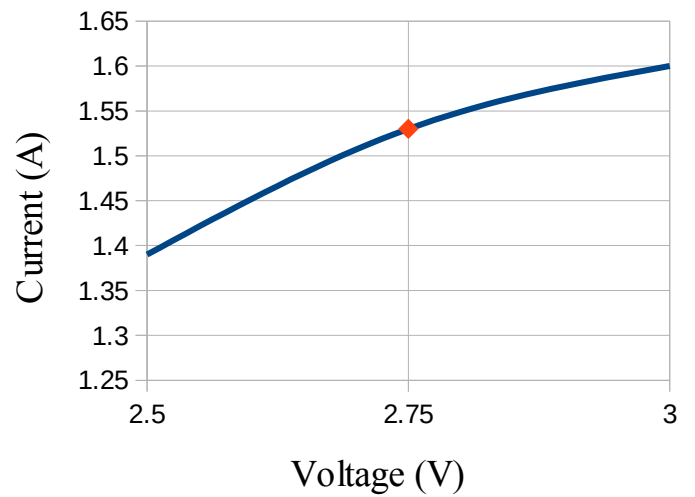
Sample Data Points

V	2.5	2.75	3
A	1.39	1.53	1.6
W	3.3	4.2	4.8
°C	850	925	1090

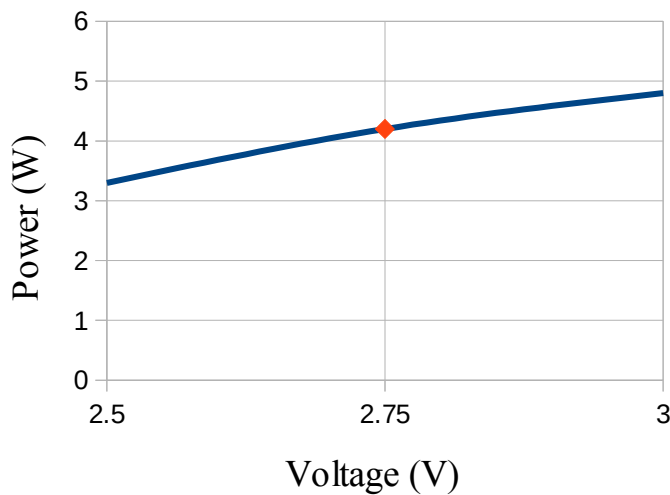
Temperature vs. Voltage



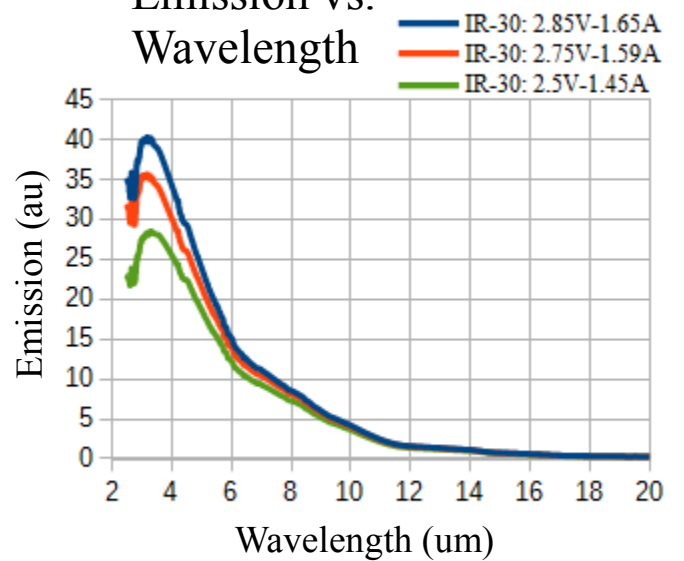
Current vs. Voltage



Power vs. Voltage



Emission vs. Wavelength



◆: Recommended to Maximize Lifetime