



HawkEye Technologies, LLC

We are your Source for Infrared

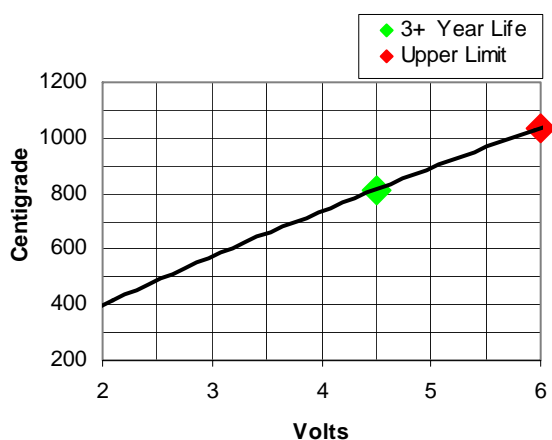
Boston
Electronics

91 Boylston St, Brookline MA 02446
www.boselec.com irsource@boselec.com,
(617)566-3821

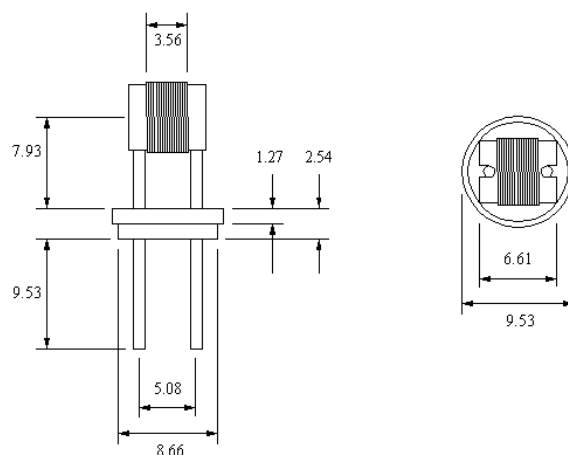
IR-12 Steady State Infrared Emitter

ENGINEERING DATA

Temperature vs Voltage

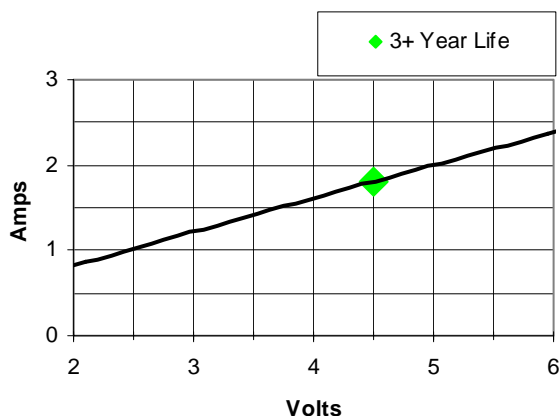


Dimensions

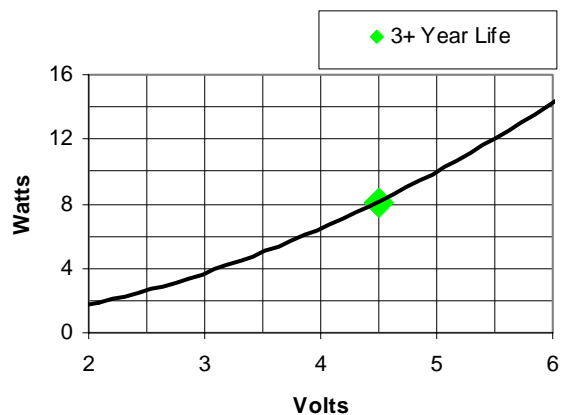


All dimensions in mm

Current vs Voltage



Power vs Voltage



HawkEye Technologies LLC is a custom fabricator of IR sources. We will customize our existing products to your design specifications. We would be pleased to quote a new custom IR source, including engineering, that will meet your requirements.



HawkEye Technologies, LLC

We are your Source for Infrared

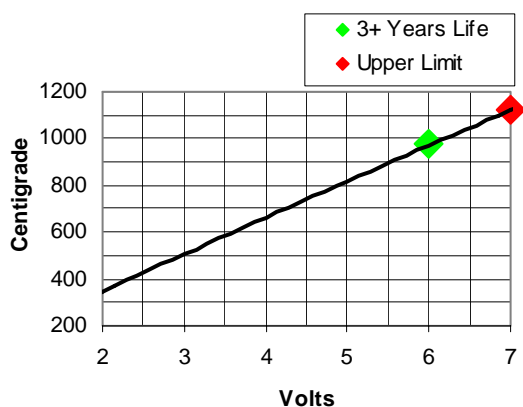
Boston
Electronics

91 Boylston St, Brookline MA 02446
www.boselec.com irsource@boselec.com,
(617)566-3821

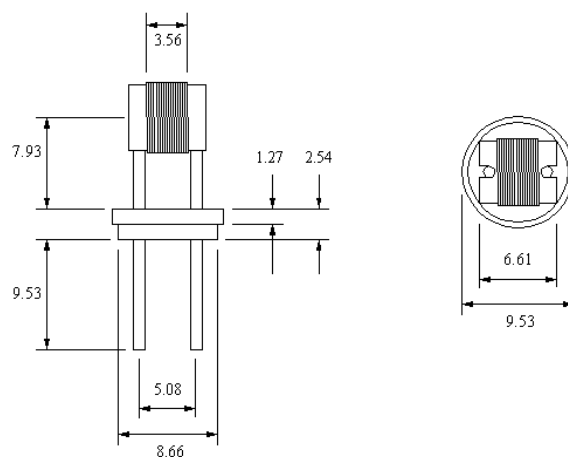
IR-12K Steady State Infrared Emitter

ENGINEERING DATA

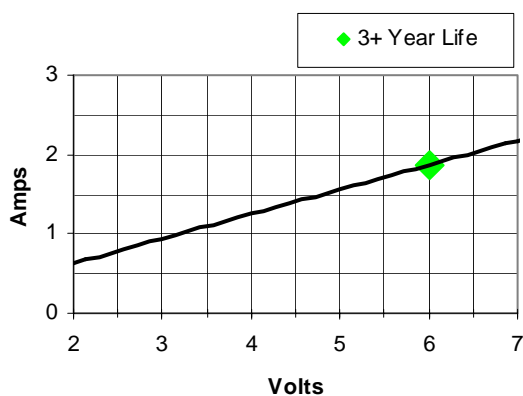
Temperature vs Voltage



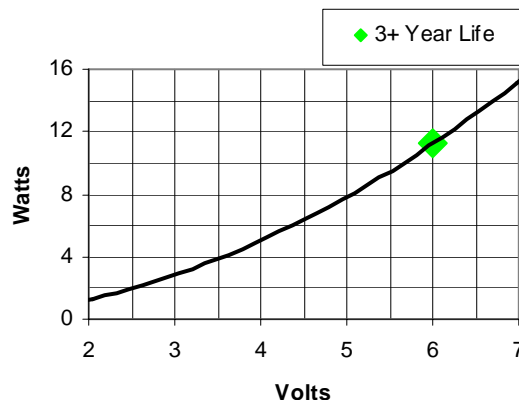
Dimensions



Current vs Voltage



Power vs Voltage



HawkEye Technologies LLC is a custom fabricator of IR sources. We will customize our existing products to your design specifications. We would be pleased to quote a new custom IR source, including engineering, that will meet your requirements.

Parabolic and Elliptical Reflectors For IR-12 and IR-2x series

p/n MC-233 is Elliptical
p/n MC-234 is Parabolic

