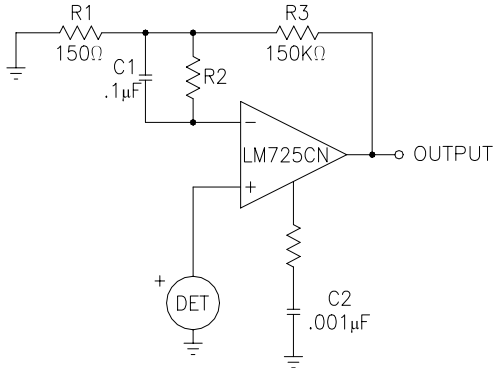
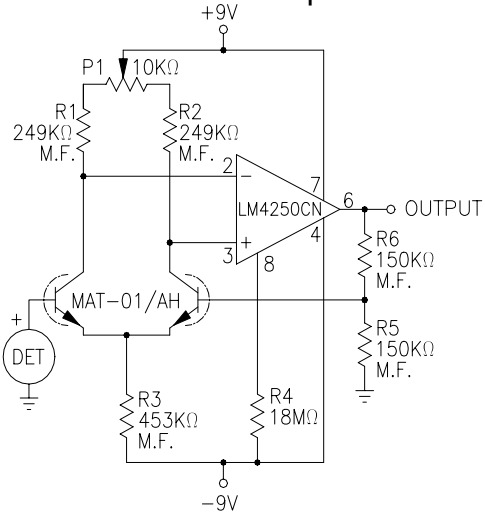


Example Amplifier Circuits

Common Amplifier



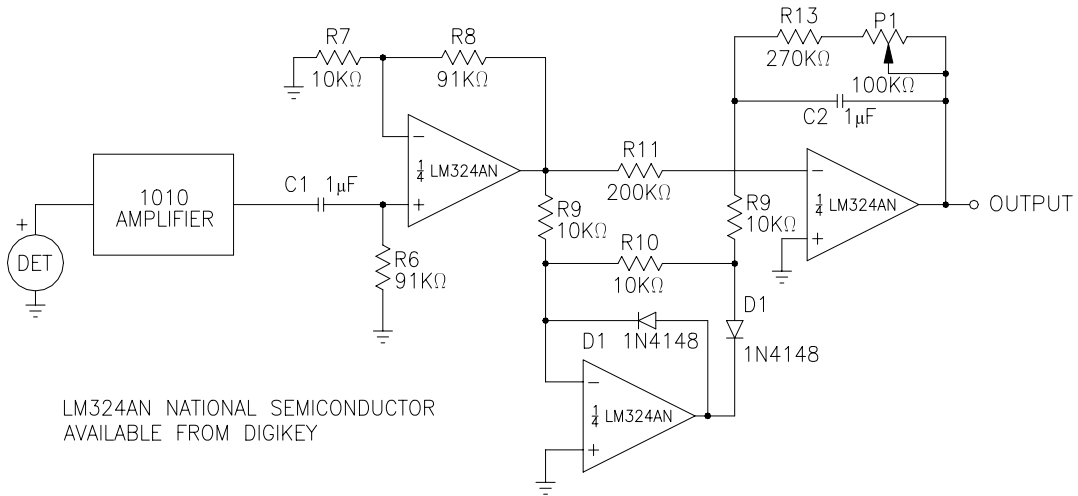
Micro Power Amplifier



LM4250CN NATIONAL SEMICONDUCTOR AVAILABLE FROM DIGIKEY
R2 IS SELECTED TO MATCH DETECTOR RESISTANCE

MAT-01/AH ANALOG DEVICES AVAILABLE FROM NEWARK ELECTRONICS
LM4250CN NATIONAL SEMICONDUCTOR AVAILABLE FROM DIGIKEY
M.F. = METAL FILM RESISTOR

Modulated Signal Rectifier For 10Hz (Full Wave)



LM324AN NATIONAL SEMICONDUCTOR AVAILABLE FROM DIGIKEY

Equivalent Circuit Single Element Thermopile Detector

